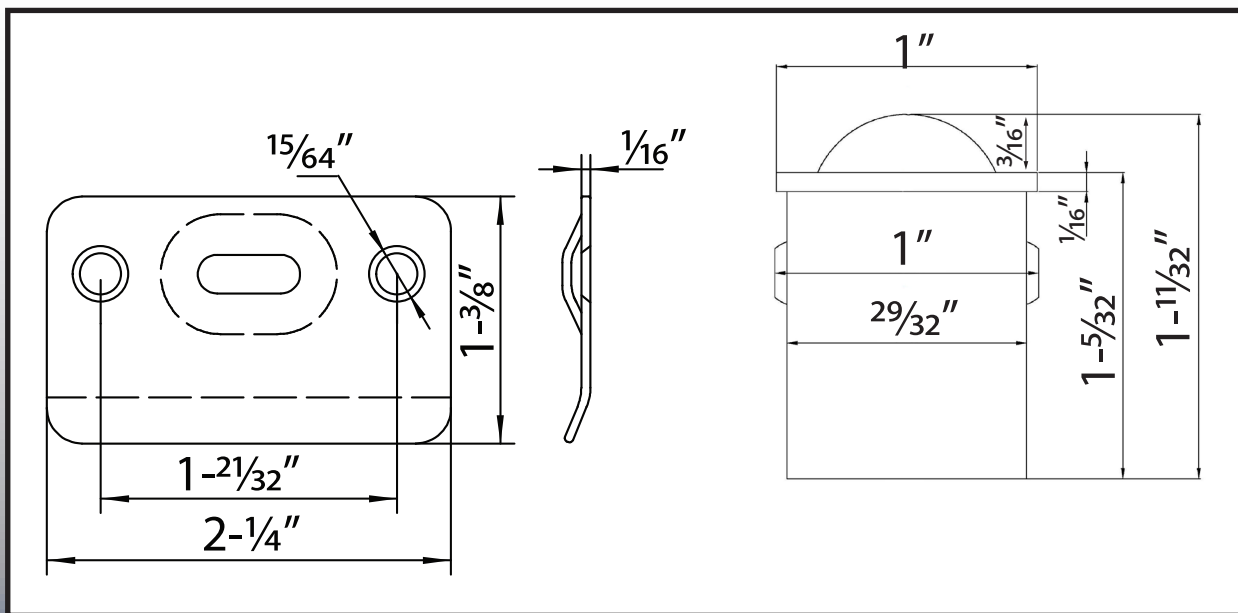




Drive-In Ball Catch

31716



Specifications:

Door Prep
15/16" diameter hole

Material
Steel / Zinc

Hardware
Includes mounting screws and strike

Available Finishes
Polished Brass
Antique Brass
Oil-Rubbed Bronze
Satin Nickel
Antique Nickel
Matte Black
Satin Chrome

Stone Harbor Hardware
www.stoneharborhardware.com
P.O. Box 1426 • Appleton, WI 54912
© 2011 Stone Harbor Hardware LLC

Revised: 5/24/2021