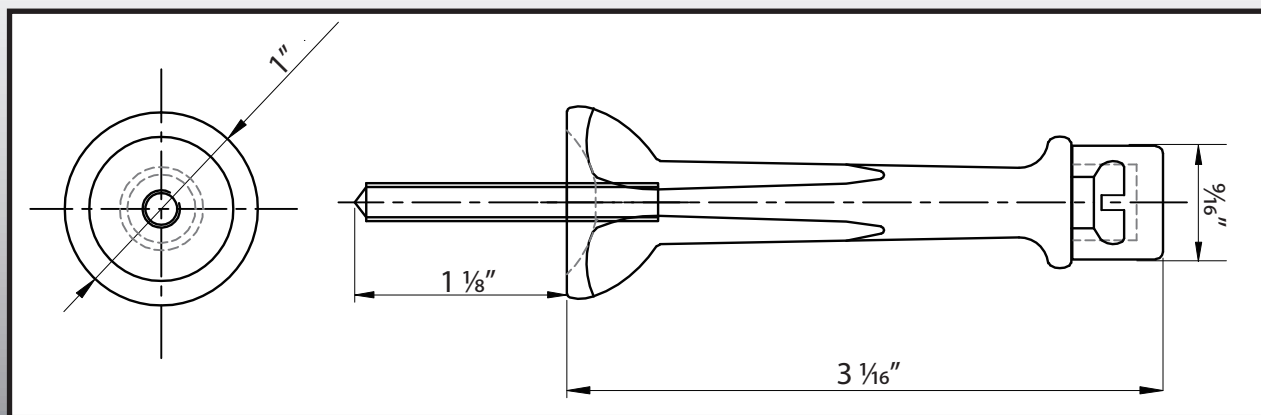




Heavy Duty Solid Stop

31504



Specifications:

Material
Zinc

Available Finishes

Polished Brass
Oil-Rubbed Bronze
Satin Nickel
Matte Black
Satin Chrome
Weathered Nickel
Antique Brass
Vintage Bronze
Antique Nickel
Polished Chrome
White

Stone Harbor Hardware

www.stoneharborhardware.com
P.O. Box 1426 • Appleton, WI 54912
© 2011 Stone Harbor LLC